

# G 450

## UNIVERSAL-VEGETABLE CUTTER

CANTEENS / COMMERCIAL KITCHENS /  
FOOD- / DELICATESSEN INDUSTRY



### At a glance:

- Sturdy machine design
- 500 mm headroom for collecting container
- Automatic in- and outfeed possible
- Safety switch-off
- Optional with underframe for machine height increase of 460 mm
- Throughput up to 4,000 kgs./h



Numerous application options :



Dicing in high capacity



Tube hopper for a guided slice cut



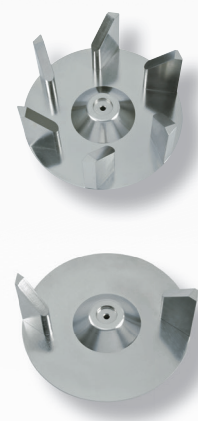
Innovative cutting hopper for cabbage

# Accessories



**Universal hopper with feeding chute,**  
stainless steel, with safety switch-off  
145 013 000

**Universal hopper with grid**  
stainless steel, with safety switch-off.  
Optional for industrial clients  
548 000 3200



**Standard wing, stainless steel**  
six-wings 548 000 9305

**Double wing, stainless steel**  
two wings 548 000 3501



**Raw vegetable cylinders, stainless steel,**  
sharpened separately

2 mm	145 070 302
3 mm	145 070 303
4 mm	145 070 304
5 mm	145 070 305

Shredding of e.g. carrots, radishes, celery



**Shredding cylinders, stainless steel,**  
sharpened separately

6 mm	145 070 306
9 mm	145 070 309
12 mm	145 070 312
16 mm	145 070 316

Shredding of e.g. carrots, radishes, celery



**Grating cylinders, stainless steel**

2 mm	145 071 450
2 mm	145 071 313
4 mm	145 071 312

Grating of e.g. hard bread, boiled potatoes,  
almonds, nuts, chocolate



**Potato grating cylinder, 2 mm,**  
crown toothing, stainless steel  
2 mm 145 071 330

**Potato pancake cylinder**  
stainless steel, combination of 3330/302  
145 071 480



**Cutting cylinders, stainless steel, toothed,**  
6 pieces

1,5 mm	548 100 3815
2 mm	548 100 3820
2,5 mm	548 100 3825

**smooth, 6 pieces**

4 mm	548 100 3840
6 mm	548 100 3860

Slicing of e.g. potatoes, celery, beetroots, carrots

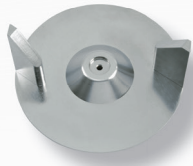


**Strip cutting cylinders, stainless steel**

2 x 2 mm	548 100 9920
2,5 x 2,5 mm	548 100 9925
3 x 3 mm	548 100 9930
4 x 4 mm	548 100 9940
8 x 8 mm	548 100 9980
11 x 11 mm	548 100 9990

Strip cutting of e.g. potatoes, celery,  
beetroots, carrots



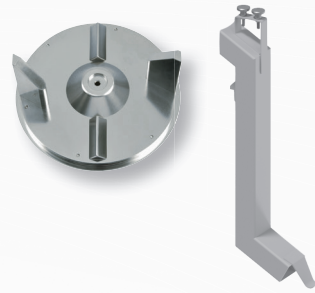


**Dicing wing, stainless steel**  
145 043 000



**Dicers complete, stainless steel**

6 mm	548 200 5200
8 mm	548 200 5300
11 mm	548 200 5400
16 mm	548 200 5500
22 mm	548 200 5600



**Straining wing, stainless steel**  
two wings 548 000 3400



**Pureeing cylinder, stainless steel**  
548 100 9440

**Residual ejection**  
145 072 910  
Required for straining cylinder 1,5 and 3 mm

**Straining cylinders, stainless steel**

1,5 mm	548 100 3410
3 mm	548 100 3430



**Tube hopper for a guided slice cut, stainless steel**  
548 100 3600  
**Carrot insert, reduction of the diameter of the tube hopper**  
Ø 40 mm, with pusher Ø 36 mm 145 087 000  
Ø 60 mm, with pusher Ø 56 mm 145 088 000



**Curved blade disc, stainless steel, adjustable 0 - 10 mm**  
145 020 000

Cutting of e.g. carrots, gherkins, cucumbers



**Cutting hopper, stainless steel specifically for cabbage- and cutting slices**  
145 034 000



**Cabbage cutting discs, stainless steel**

1,3 mm	145 023 000
2,5 mm	145 024 000

Cutting of cabbage



**Curved blade disc, stainless steel, adjustable 0 - 10 mm**  
145 020 000

Cutting of e.g. carrots, bulbous vegetables



**Tool stand Stainless steel, mobile**  
145 085 000

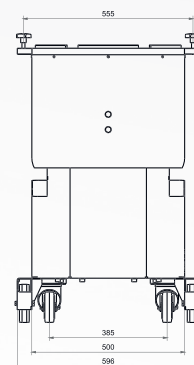
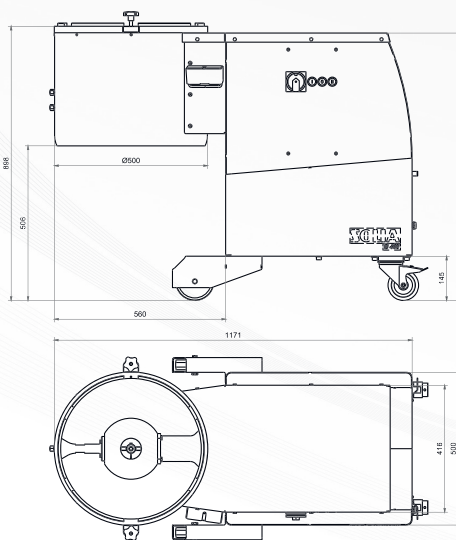
For six disks or four cylinders or three disks and three cylinders

# Technical Data

The figures shown here are for illustration only and may deviate from the actual design version. Technical alterations are reserved. or additional accessories please refer to our price list.



**G 450**  
Universal vegetable cutter



## Technical data

Power supply	400 V, 50 Hz <sup>1</sup> 3 m cable with CEE plug 5-p
Output (kW)	1,8 / 3,6
Fuse protection (A)	16
Ingress protection	IP 54 (splash-proof)
Infinitely variable speed control (rpm)	150 / 300
Dimensions (L x W x H)	616 x 1288 x 947 mm
Weight (kg)	170

<sup>1</sup> Maintenance-free pole-changing three-phase motor.

<sup>2</sup> Other voltages on request. Including thermal overload protection.

## Processing capacity

Description	Use	Throughput**
Cutting cylinders	Slicing of e.g. raw potatoes	ca. 4.000 kg/h
Strip cutting cylinders	Slicing of e.g. raw carrots, celery	ca. 3.000 kg/h
Raw vegetable cylinders	Shredding of e.g. carrots, radishes, celery	ca. 3.000 kg/h
Shredding cylinders	Shredding of e.g. carrots, radishes, celery	ca. 3.000 kg/h
Grating cylinders	Grating of e.g. hard bread, boiled potatoes, nuts, chocolate, almonds	ca. 3.000 kg/h
Potato grating cylinder	Grating of raw potatoes for dumplings	ca. 2.000 kg/h
Dicer	Dicing of e.g. vegetables, potatoes, celery, carrots	ca. 3.000 kg/h
Cabbage cutting discs	Cutting of cabbage	ca. 3.000 kg/h

\*\*The throughputs are dependent on cutting thickness and product.